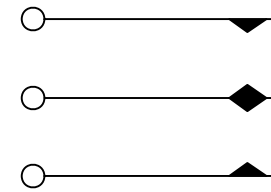
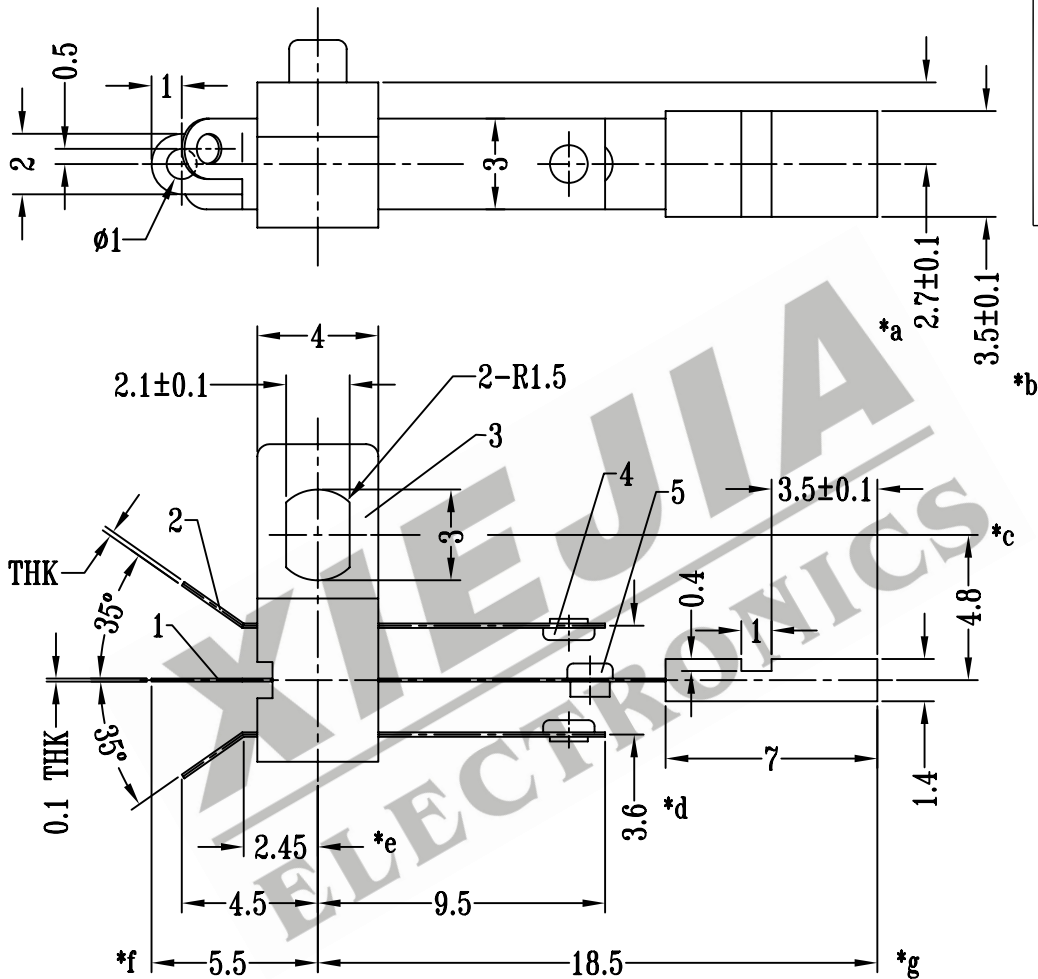


CAD FILE:



SCHMATIC

注:带"*"表示关键尺寸(7个)

8					TOLERANCE UNLESS SPECIFIED	SHENZHEN XIEJIA ELECTRONICS CO.,LTD.				
7										
6					WITHIN: 1.5±0.1mm OVER: 1.5±0.2mm	ISSUE	DATE	DESCRIPTIONS OF REVISION		APPD.
5	CONTACT A	COPPER	1	Ag PLATED OVER Ni PLATED						
4	CONTACT B	COPPER	2	Ag PLATED OVER Ni PLATED	TITLE : LEAF SWITCH	UNIT : mm	DRWG NO.: XJ-DR-LF103-00			
3	CASE	POM	1	BLACK						
2	SPRING PLATE B	PBS	2	Ag PLATED OVER Ni PLATED	MODEL: LF-103	SCALE: 4:1	DWN.	ZHOUYU	2004-5-2	
1	SPRING PLATE A	PBS C5210R-SH	1	Ag PLATED OVER Ni PLATED			CHK'D	FANGYING	2004-5-2	
NO.	PARTS	MATERIALS	Q'TY	FINISH	ALL MATERIALS MUST BE COMPLIANT TO ROHS		APPD.	KANGXINAN	2004-5-2	